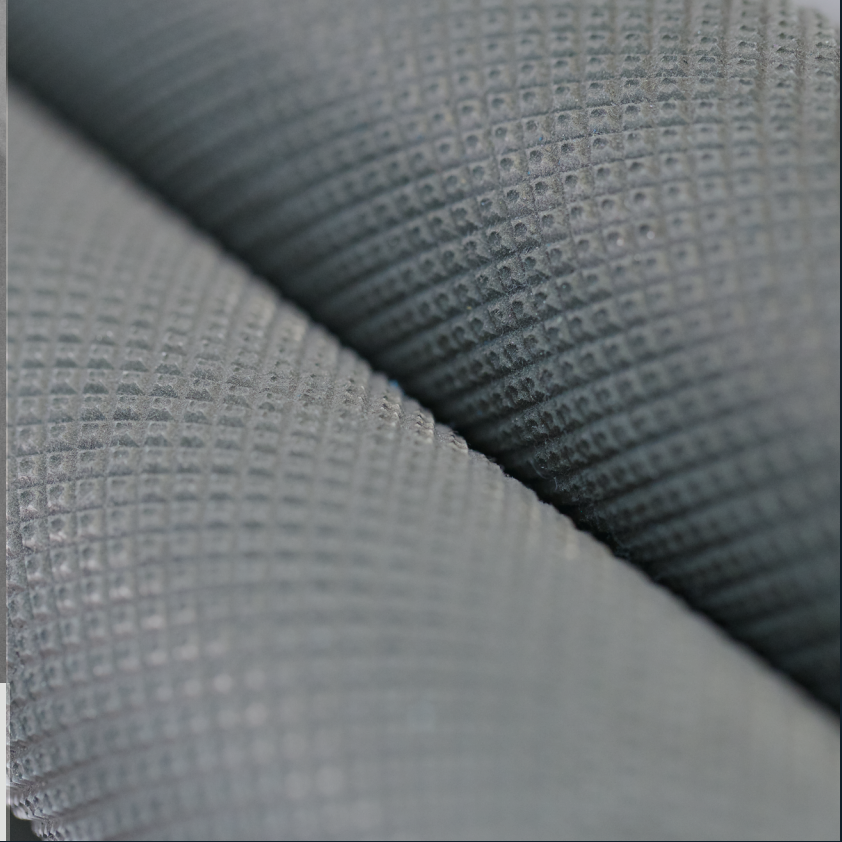




MALTMASTER



Manufactured at our Portland plant, the Portland Kettle Works Maltmaster is gaining notoriety as a brewer's choice grain mill specifically designed for brewery operations. Precisely crack malted grain to your specific needs in this powerful package optimally designed and engineered for lasting brewery performance.

50 Pounds of Malted Barley per Minute

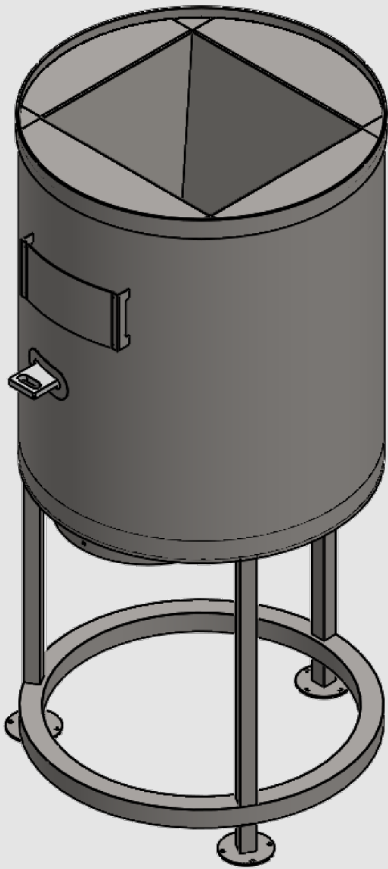
60 Pound Hopper Capacity

100% 304 Grade Stainless Steel

Three-roller design with explosion-proof motor and switch

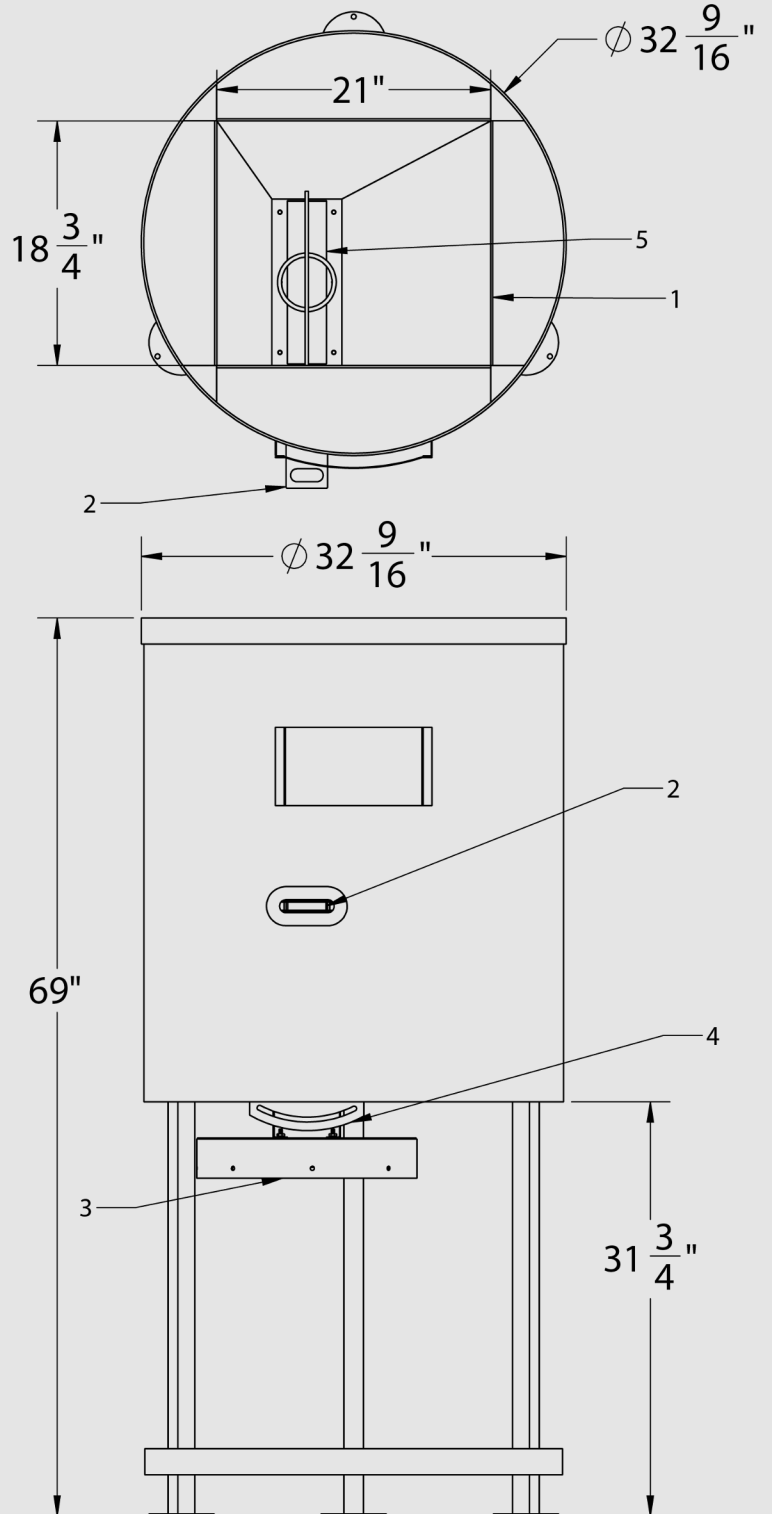
MALTMASTER

	3.5-5 BBL	7-15 BBL	20-30 BBL
Electrical Power	Single Phase	3 Phase	3 Phase
Horsepower	1 HP	2 HP	3 HP
Voltage / Amps	230V / 7A	230V / 6.8A	230V / 9.6A



APPROXIMATE WEIGHT: 400 LBS

ITEM	DESCRIPTION	QTY
1	Hopper	1
2	Slide Gate	1
3	Auger Boot Attachment	1
4	Mill Roller Adjustment	1
5	Feed Throat	1



MALTMASTER

Item 1 - PKW Maltmaster Grain Crusher

Application: Crush grain for brewing process
Quantity 1: Capacity 50lbs/min
3 3" dia x 12" length knurled rollers
2HP motor, 208-230V 60hz/3ph
Two fixed rollers, with third on cams for fine adjustment

2 belts main drive
Hopper with guard
Inlet feed hopper with grate, magnet, and flow adjustment slide gate
Discharge hopper to mate with Choretime Model 75 auger boot

Item 2 - Choretime Model 75 Auger

Application: Transfer grain from grain crusher to grist case; enclosed system moving up to 50 lbs per minute of crushed grain; batch time for 1000lbs 20-25 minutes

- 1 ea Auger drive unit- 1/2hp 220V/1/60
- 1 ea Auger control unit
- 2 ea Auger 45deg pvc elbow
- 2 ea 10' Auger PVC tube
- 1 ea Auger upper boot
- 1 ea Auger lower boot
- 1 ea Auger 15deg transition
- 30' Flex auger coil
- 1 ea Suspension Kit

Item 3 - 15 BBL Floor Mounted Stainless Grist Case

Application: Temporary holding vessel for single batch of crushed grain

- 1 ea: Grist case with 4 legs
- 4 ea: Adjustable foot pads
- 1 ea: Lid with 4" port for auger
- Material: Stainless steel

Item 4 - Choretime Model 75 Auger

Application: Grist to Mash; enclosed system moving up to 50 lbs per minute of crushed grain; batch time for 1000lbs 20-25 minutes

- 1 ea Auger drive unit- 1/2hp 220V/1/60
- 1 ea Auger control unit
- 2 ea Auger 45deg pvc elbow
- 2 ea 10' Auger PVC tube
- 1 ea Auger upper boot
- 1 ea Auger lower boot
- 1 ea Auger 15deg transition
- 30' Flex auger coil
- 1 ea Suspension Kit

Item 5 - Grist Hydrator

Application: Wets grain as it added to mash tun

- 1 ea Grist hydrator, piped to brewhouse